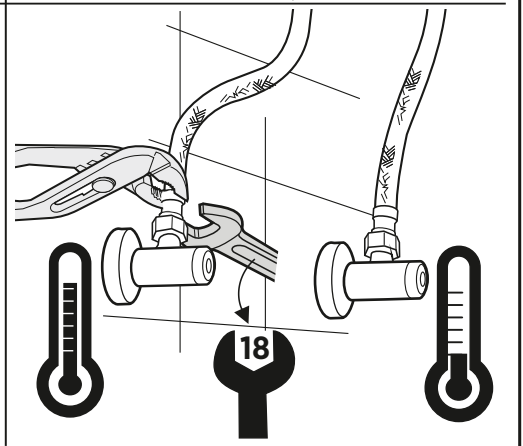
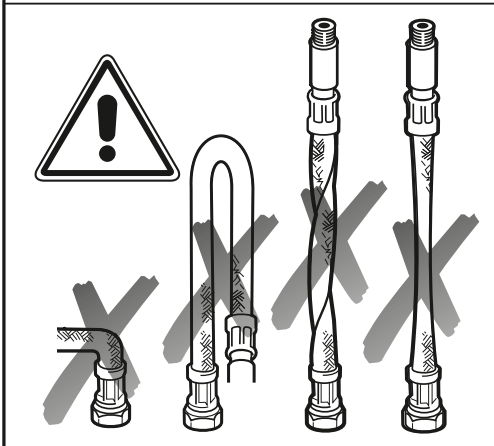
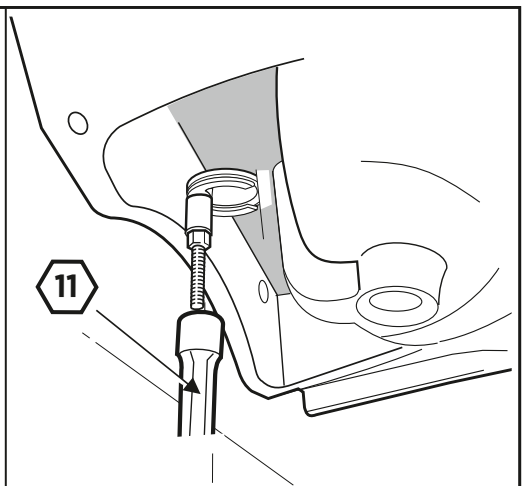
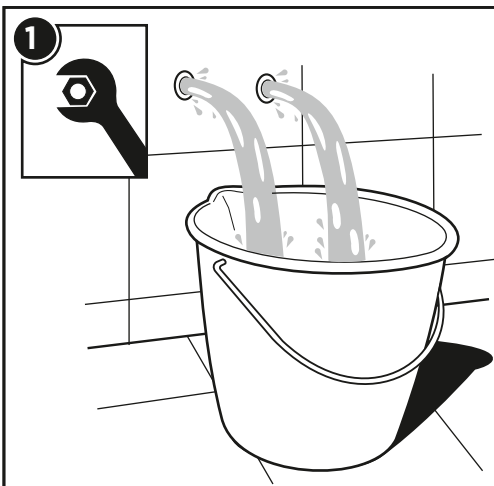




**gala**

**SIA**





**P**

**P**  
bar

0,5

5

**T**

**°C**

65  
45

**Q**  
(3 bar)

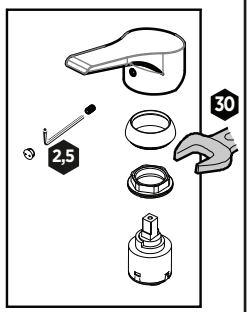
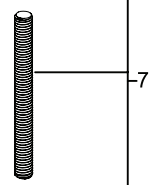
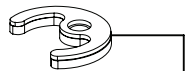
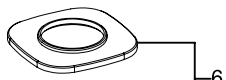
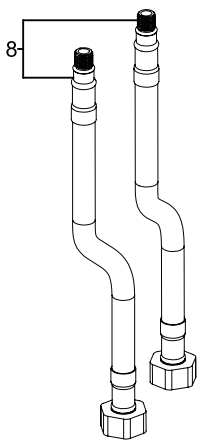
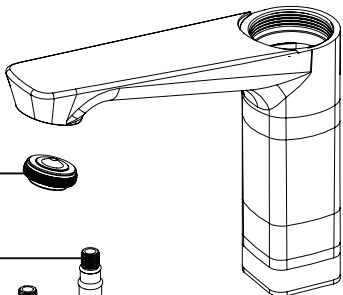
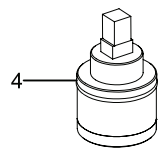
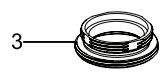
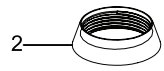
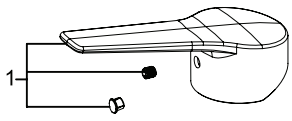
**l/min**

5

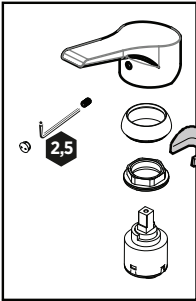
20



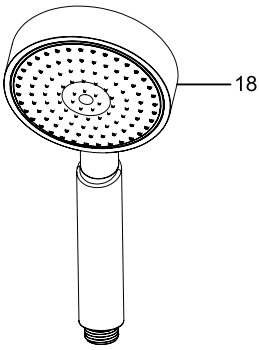
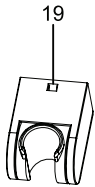
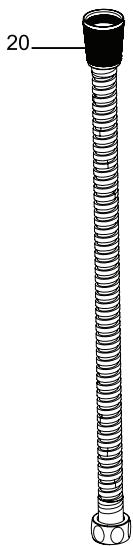
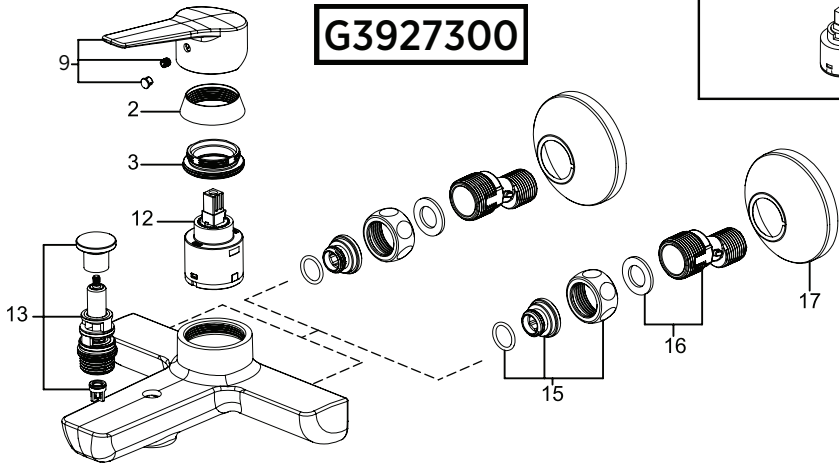
**G3927000**



3

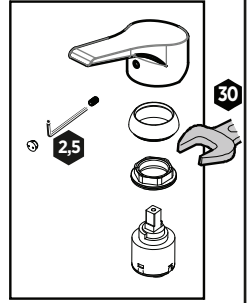


G3927300

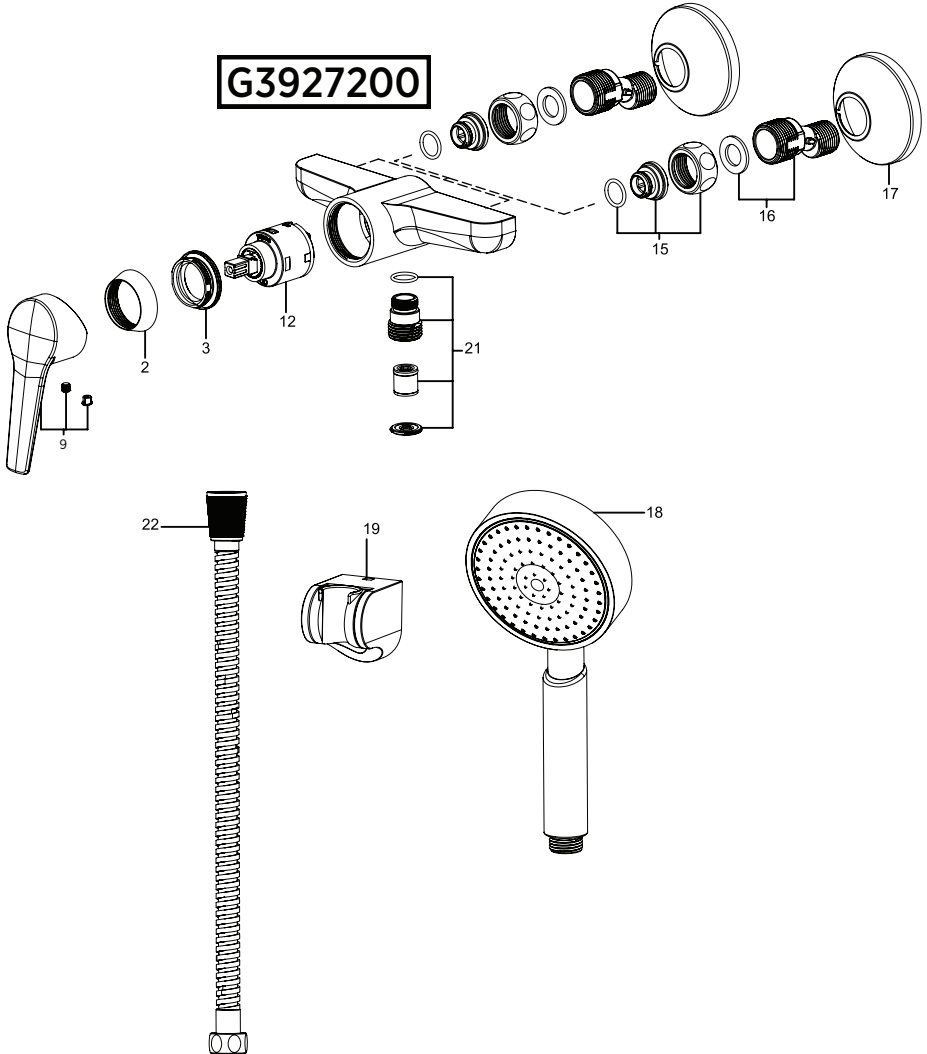


FOR W/ACC. VERSIONS

4



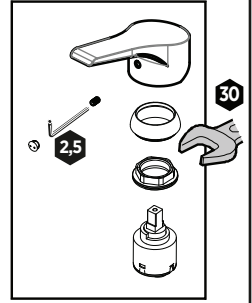
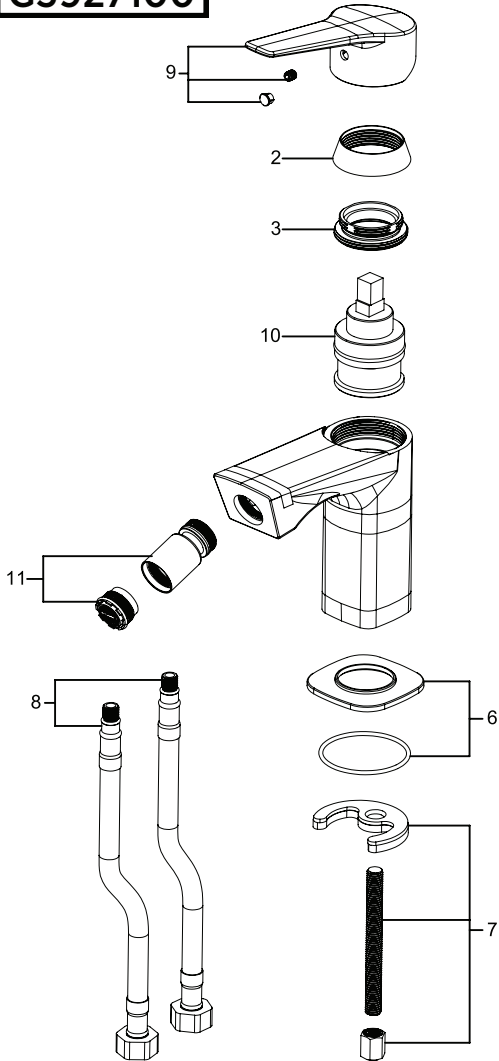
**G3927200**



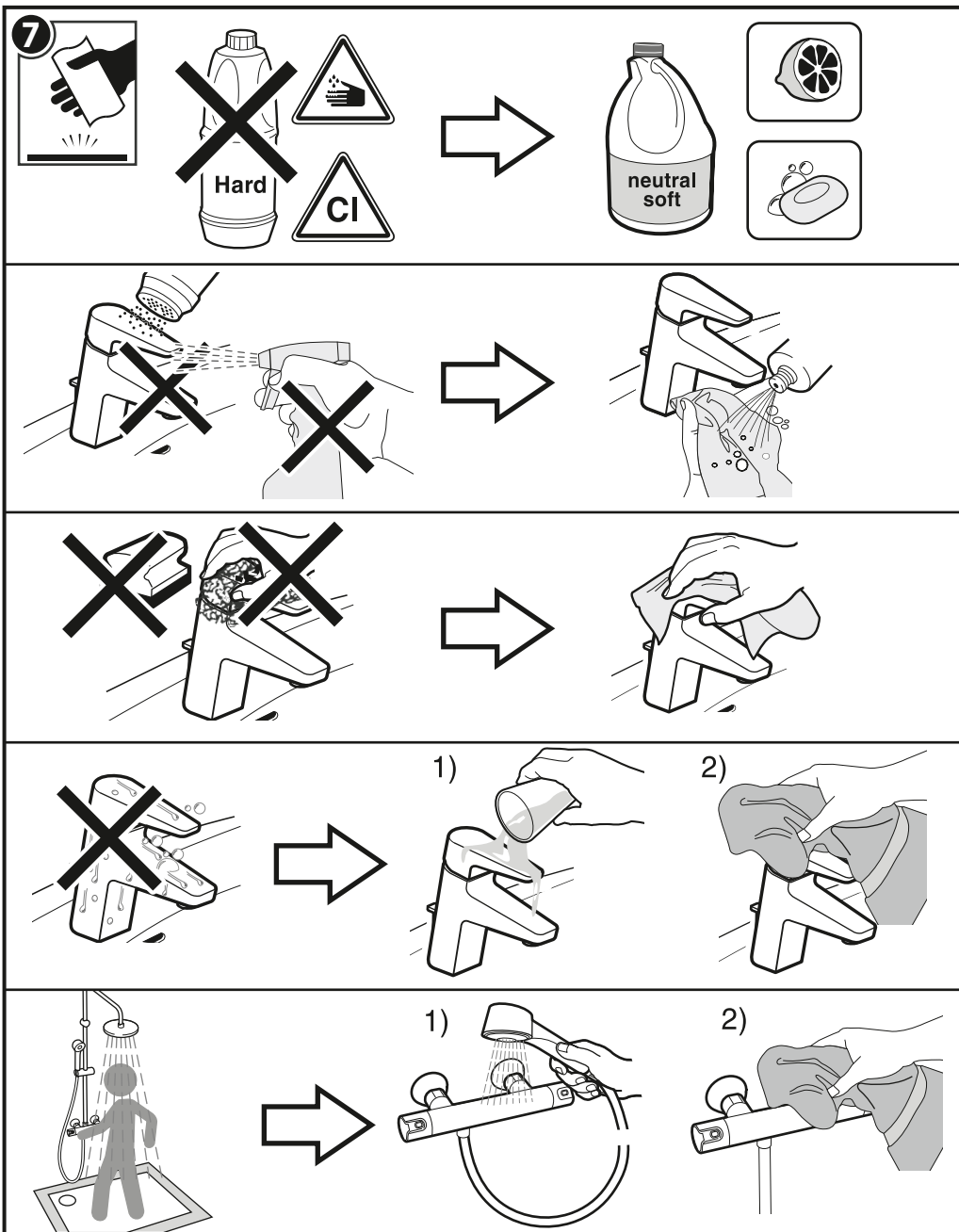
FOR W/ACC. VERSIONS



**G3927100**



1	G3799200
2	G3791900
3	G3790200
4	G3790300
5	G3972400
6	G3799300
7	G3799400
8	G3790600
9	G3799500
10	G3792900
11	G3799600
12	G3793300
13	G3791500
14	G3793400
15	G3973800
16	G3791200
17	G3975300
18	G3974400
19	G3974300
20	G3974600
21	G3791700
22	G3974500



KTP.0000381